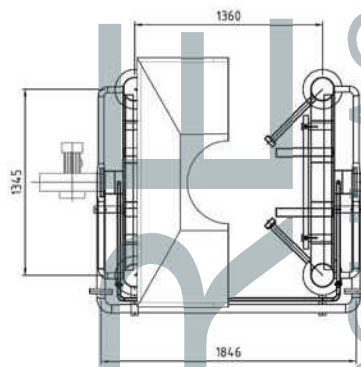
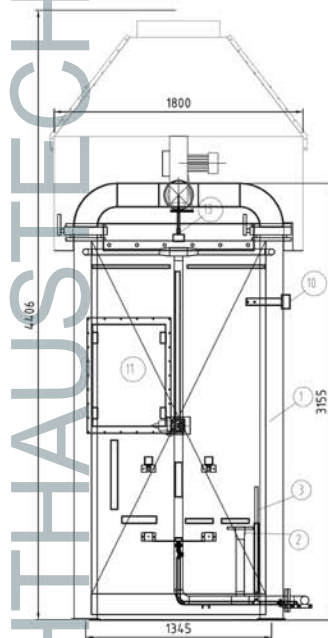
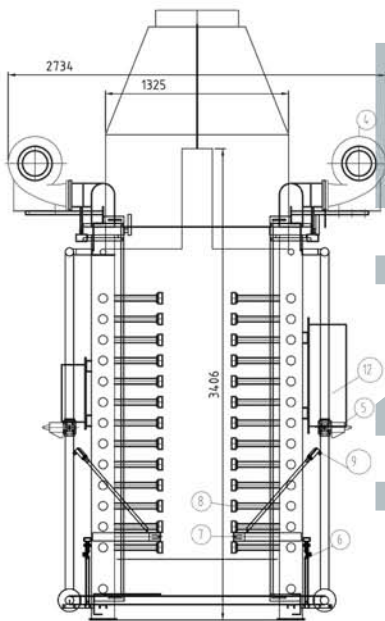


SCHWEINE-
FLAMMOFEN
PIG-FURNACE



Leistung [Schw/h] [pigs/h]	Brenner [Steck] [Pcs]
500	56

